

HYVA GEAR PUMPS



EXTERNAL GEAR TYPE - BRITE SERIES

Hyva

gear pump type :

gear pump 035L - BI - 3H - BRITE

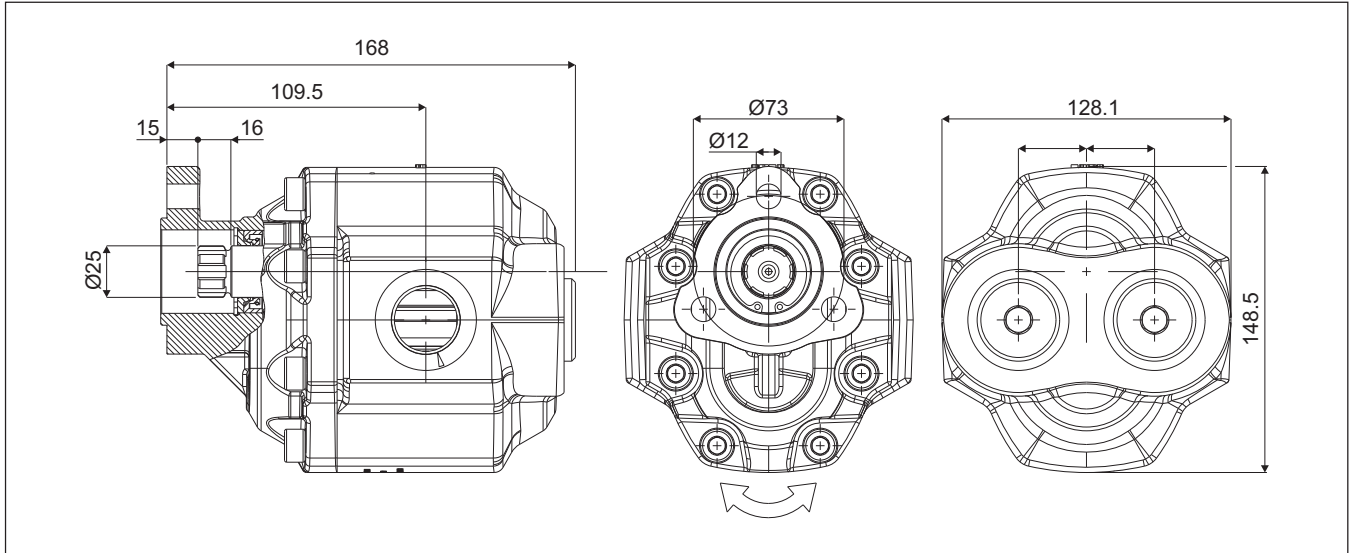
page # 1 / 2

part number :

145 63 034

rotation :

bi-rotational

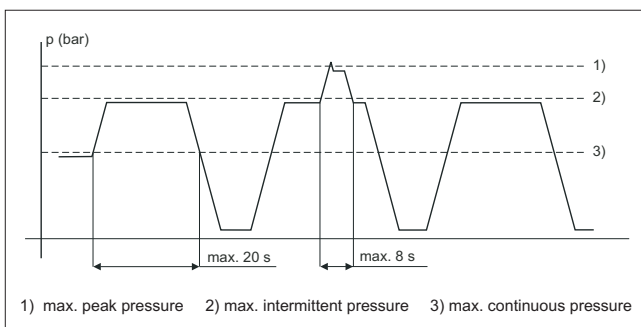


specifications

displacement per revolution	:	34,56	cm ³
maximum peak pressure	:	310	bar
maximum intermittent pressure	:	300	bar
maximum continuous pressure	:	280	bar
maximum speed without load	:		min ⁻¹
max. speed at intermittent press.	:	2500	min ⁻¹
min. speed at intermittent press.	:	300	min ⁻¹
oil temperature range	:	-25↔80	°C
inlet pressure range (suction side)	:	12↔3	bar (abs)
recommended oil viscosity range	:	12↔100	mm ² /s (cSt)
maximum starting viscosity	:	750	mm ² /s (cSt)
filtration :			
- working pressure < 200 bar	:	25	µm
- working pressure > 200 bar	:	10	µm
connection :			
- inlet - straight internal thread	:	¾	" B.S.P.
- outlet - straight internal thread	:	¾	" B.S.P.
minimum suction hose bore diameter	:	1,25	inch
shaft UNI 6604-69 spline	:	6*21*25	mm
mass	:	10,7	kg
noise level at 1000 min ⁻¹ and 100 bar	:	62,5	dB(A)
noise level at 1500 min ⁻¹ and 100 bar	:	67,6	dB(A)

efficiency diagram on request

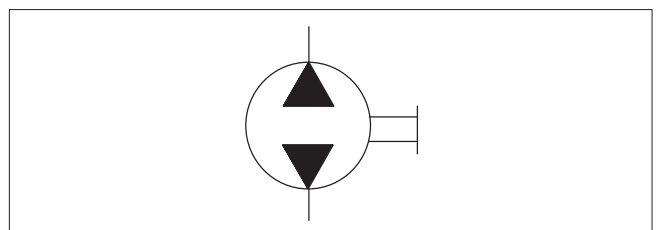
pressure definition



power and torque

Pressure (bar)	50	100	150	200	250
Torque (Nm)	32	60	87	112	135
Power (kW)					
500	2	3	5	6	7
1000	3	6	9	12	14
1500	5	9	14	18	21
2000	7	13	18	24	28
2500	8	16	23	29	35
Flow (L/min.)					
500	17	16	16	16	16
1000	33	33	32	32	32
1500	50	49	48	48	48
2000	66	65	64	64	64
2500	82	82	80	80	80

hydraulic pump symbol



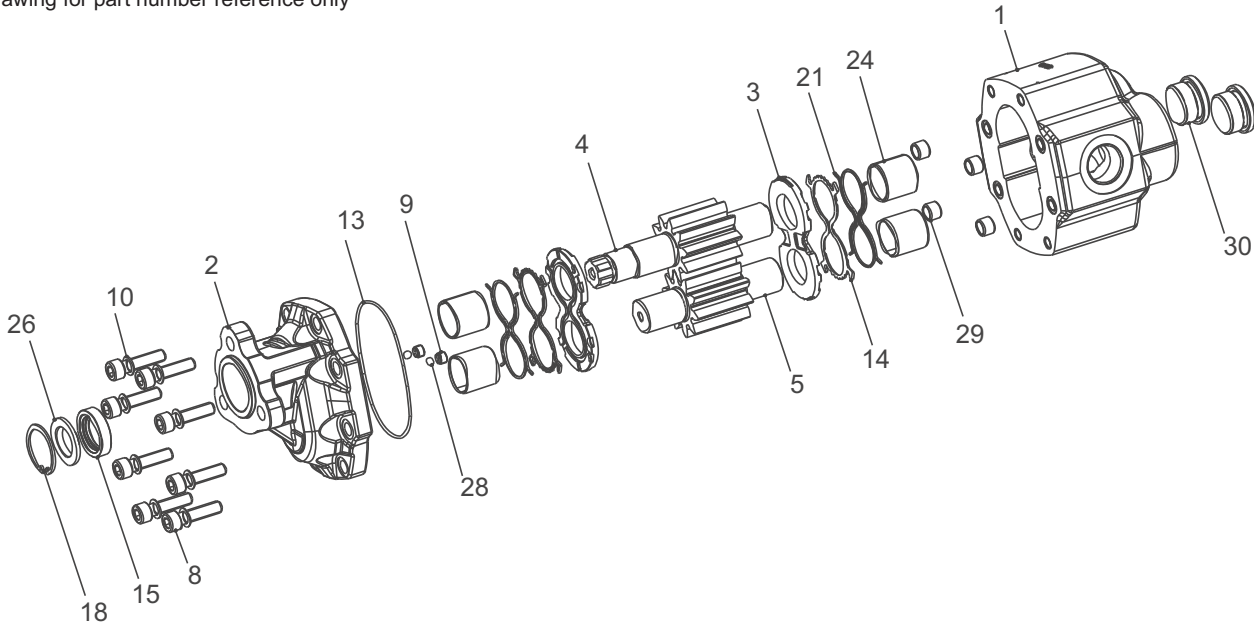
HYVA GEAR PUMPS



EXTERNAL GEAR TYPE - BRITE SERIES

Hyva	gear pump type :	gear pump 035L - BI - 3H - BRITE
page # 2 / 2	part number :	145 63 034
	rotation :	bi-rotational

drawing for part number reference only



spare part list gear pump 145 63 034

pos.	code no.	description	qty.
1	145 63 034 01	body	1
2	145 63 034 02	front cover	1
3	022 59 400	thrust plate Brite	2
4	145 63 034 04	drive shaft	1
5	145 63 034 05	driven gear	1
8	145 63 034 08	screw	8
9	145 63 034 09	dowel 1/8"	2
10	145 63 034 10	washer	8
13	145 63 034 13	O-ring	1
14	145 63 034 14	seal	2
15	145 63 034 15	shaft seal	1
18	145 63 034 18	circlip	1
21	145 63 034 21	back-up ring	2
24	145 63 034 24	sleeve bearing	4
26	145 63 034 26	back-up washer plastic	1
28	145 63 034 28	ball	2
29	145 63 034 29	steel bushes	4
30	145 63 034 30	steel plug	2

seal kit

code no.	description	qty.
024 60 067	seal kit complete	1

(comprises 13, 14, 15, 21 & 26)

general information and mounting possibilities.

The mentioned data on page 1 is for mineral based oil.
For other fluids, please contact our engineering dept.

The filtration as mentioned is for tippers only. For different applications we advise filtration according ISO 4406 class 17/14.

To avoid cavitation, the suction hose must be kept as short and straight as possible, and the minimum oil level in the oil tank must be above the inlet of the pump.

Side and/or rear ports can be used as desired.

Torque plugs:

3/4"	60 Nm
1"	75 Nm
1 1/4"	115 Nm